

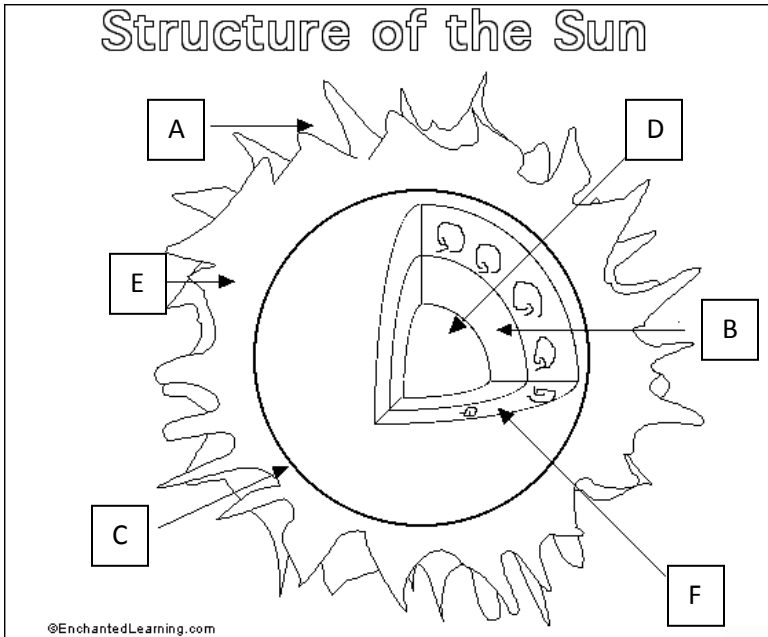
Name: _____

Date: _____

Period: _____

Sun, Earth, Moon Relationships – Layer Differentiation

Directions: Identify the different layers of the Moon, Earth, and Sun on their corresponding pictures.



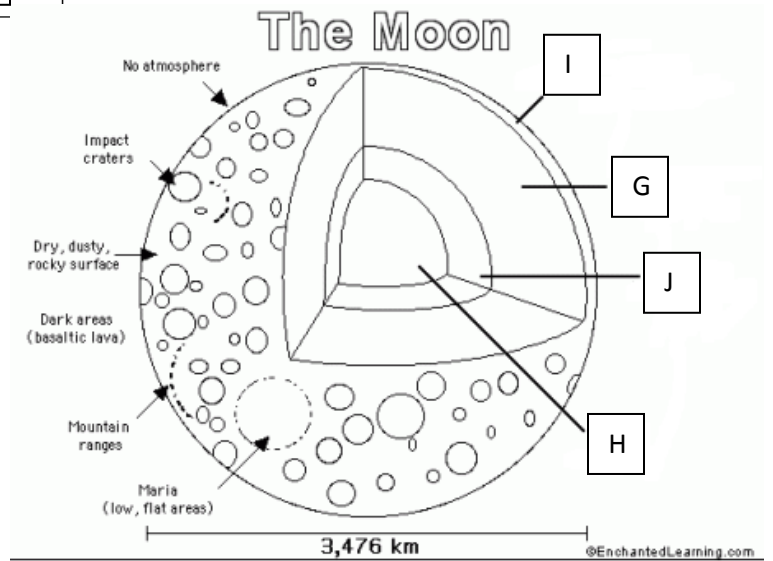
- A.
- B.
- C.
- D.
- E.
- F.

G.

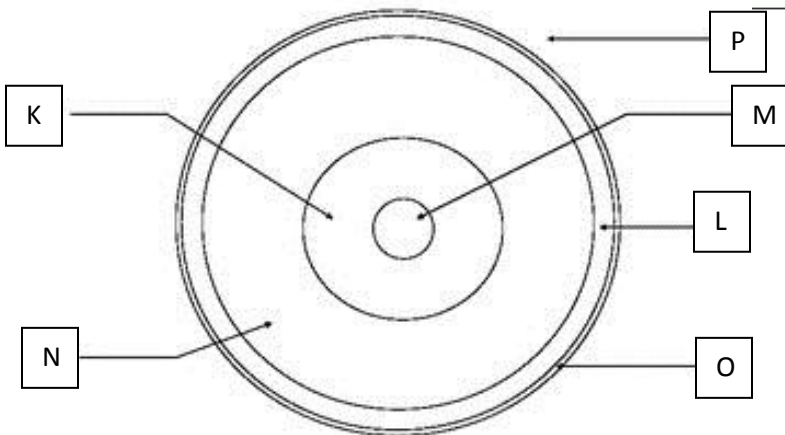
H.

I.

J.



Layers of the Earth



- K.
- L.
- M.
- N.
- O.
- P.

